

Chelsea® 880 Series

8-Bolt Heavy Duty Mechanical PTO



Overview:

Not every PTO is as tough as an 880. That's because many don't need to be. But if you're using bulk haulers, fire trucks, oil rigs, utility and generator applications, large truck recovery or other tough challenges, the Chelsea 8-Bolt 880 Series PTO is designed for high and low speed, high torque applications with constant mesh input gears. It features a standard lever control shift, or an optional air control shift. Pressure lubrication is available to ensure longer bearing life. Tapered cone bearings offer excellent load bearing capability. And the rugged cast-iron housing is extremely durable. The shift cover is removable, making backlash adjustment easier and more accurate. The 880 is an 8-Bolt heavy-duty PTO rated for up to 500 lbs-ft torque for intermittent service.

- Bulk Haulers
- Aerial Trucks
- Fire Trucks
- Large Recovery Trucks
- Oil Field



Contact Information:

Parker Hannifin Corporation
Chelsea Products Division
8225 Hacks Cross Road
Olive Branch, MS 38654 USA

Phone: 1-888-PH4-TRUK
(1-888-744-8785)

Fax: 1-662-895-1069
chelseacustserv@parker.com

www.parker.com/chelsea

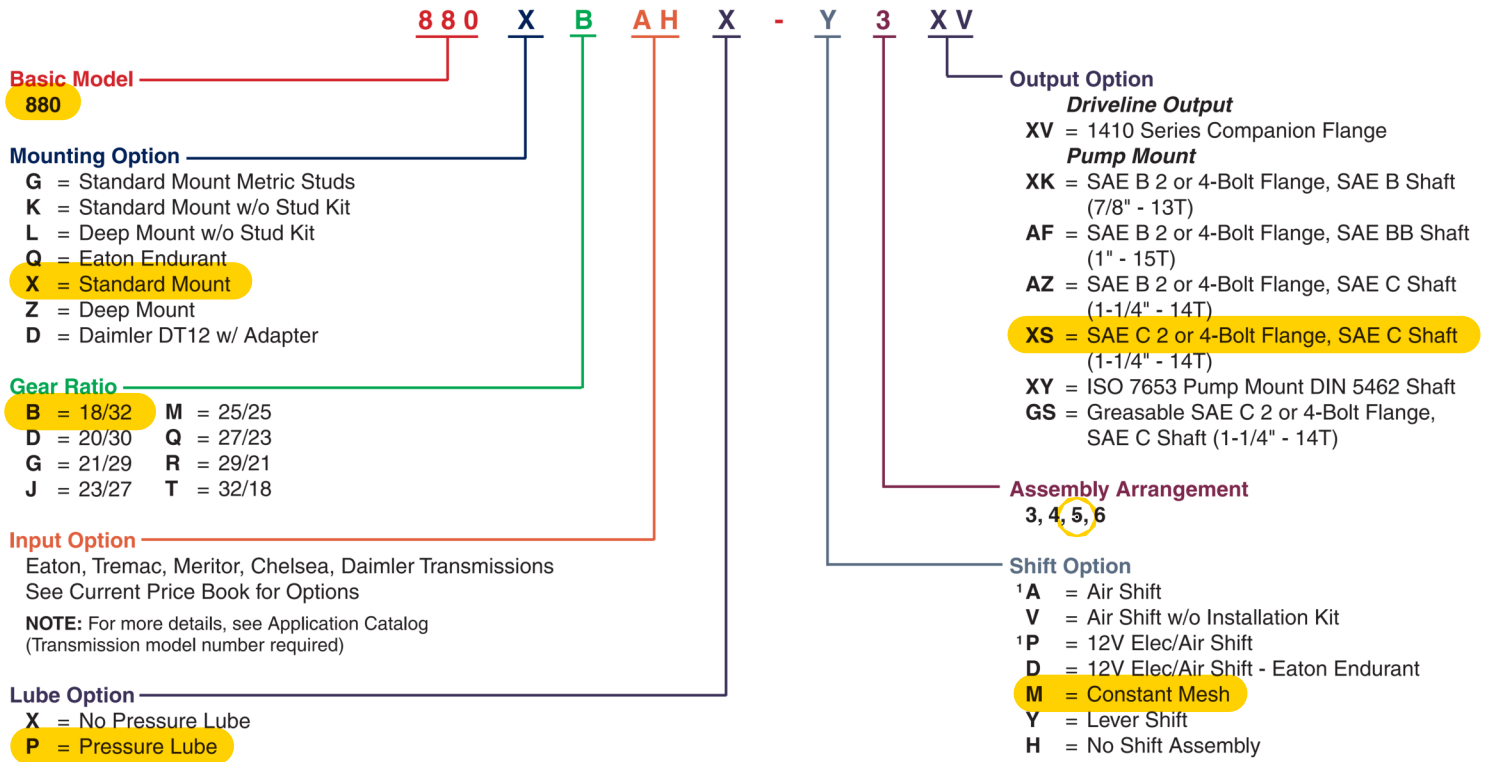
Product Features and Benefits:

- **Coverage** – Wide coverage for tough applications
- **Output Options** – Ten (10) output options
- **Speed Ratios** – Eight (8) internal speed ratios
- **Shift Cover** – Removable for adjusting backlash
- **Torque** – Up to 500 lbs-ft
- **Blower Applications** – High speed and torque for pneumatic blower applications
- **Confidence** – Two Year Warranty

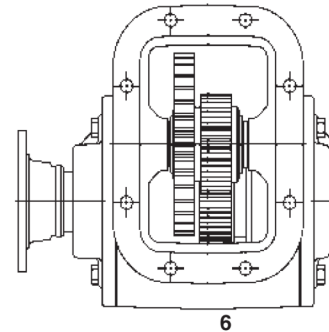
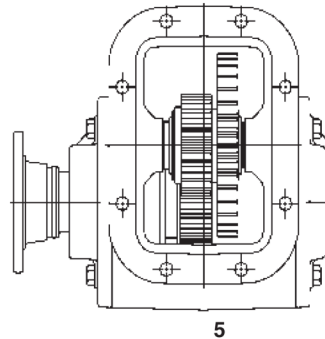
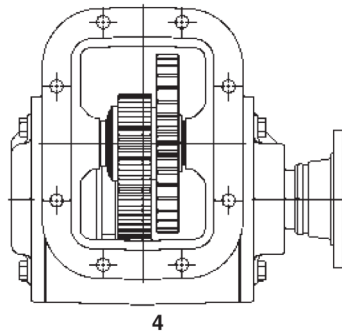
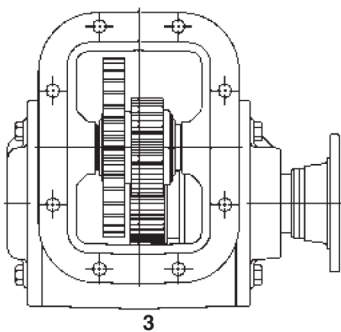


ENGINEERING YOUR SUCCESS

880 SERIES POWER TAKE-OFF SPECIFICATIONS AND TECHNICAL DATA



¹ Includes mounting parts



Specifications Chart	Approximate Weight: 63 lbs. [28.6 kg]							
	880*B	880*D	880*G	880*J	880*M	880*Q	880*R	880*T
Intermittent Torque Rating (lbs-ft) [Nm]	500 [678]	500 [678]	500 [678]	500 [678]	500 [678]	450 [610]	400 [542]	350 [475]
HP Rating for Intermittent Duty								
At 500 RPM of Output Shaft (HP) [Kw]	48 [36]	48 [36]	48 [36]	48 [36]	48 [36]	43 [32]	38 [28]	33 [25]
At 1000 RPM of Output Shaft (HP) [Kw]	95 [71]	95 [71]	95 [71]	95 [71]	95 [71]	86 [64]	76 [57]	67 [50]

© 2020 Parker Hannifin Corporation

Supersedes HY25-0017-B1/US February 2019

HY25-0017-B1/US November 2020



ENGINEERING YOUR SUCCESS